

Overview

- M12, female, A-coded, 12-poles; PUR, 200 cm, shielded, free cable end
- Dragchain capable
- Head A: IP67
- Cable: good resistance against chemicals, flames, oils
- Halogen free



Technical data

| Side A | | Cable | |
|-----------------------------------|---------------------------------------|---------------------------------|---|
| Head A: Connection | M12 | Length tolerance | + 10 cm |
| Head A: Angle cable outlet | 0° | Cable length | 200 cm |
| Head A: Gender | Female | Acceleration (C-track) | max. 5 m/s ² |
| Head A: Coding | A | AWG | 26 |
| Head A: No. of poles | 12 | Bending radius (fixed) | min. 5 × outer diameter |
| Head A: LED | No | Torsion speed | max. 35 cycles/min |
| Head A: Width across flats | AF13 | Bending radius (mobile) | min. 10 × outer diameter |
| Head A: Tightening torque | 0.6 Nm | Cable type | 3 |
| Head A: Knurled nut material | Zinc-pressure die casting, surface Ni | Cable weight | approx. 67.1 g/m |
| Head A: Body color | Black | Conductor structure | 18 × 0.1 mm |
| Head A: Gasket material | FKM | Cable diameter | 6.5 mm ± 5% |
| Labeling sleeve side A | Yes | Conductor: Material | Copper, bare |
| Side B | | External sheath: Material | PUR |
| Head B: Connection | Open-ended wires | Insulation: Material | PP |
| Labeling sleeve side B | Yes | Shielding: Material | Copper, tinned |
| Cables | | No. of bending cycles (C-track) | approx. 500000 Cycles |
| Cable length | 200 cm | Nominal voltage | 300 V |
| Length tolerance | + 10 cm | No. of torsion cycles | approx. 2000000 Cycles |
| Stripping length | 80 mm | Paired stranding | No |
| Shielded | Yes | Single wire diameter | 0.1 mm |
| Conductor structure | 18 × 0.1 mm | Cable: Test voltage | 2 kV AC core-core ; 2 kV AC core-shield |
| AWG | 26 | Torsion stress in ° | ± 30 °/m |
| External sheath: Material | PUR | Total stranding | 3 wires strand, above that 9 wires strand |
| External sheath: Color | Black | Travel speed (C-track) | max. 3.3 m/s |
| Cable diameter | 6.5 mm ± 5% | Traversing path (horizontal) | max. 5 m |
| Wire cross section | 0.14 mm ² | Wire cross section | 0.14 mm ² |
| Cable | | Wire processing | No |
| Cable: Temperature range (mobile) | - 25 ...+ 80 °C | Wire diameter incl. isolation | 1 mm ± 5% |
| Cable: Temperature range (fixed) | - 40 ...+ 80 °C | External sheath: Color | Black |
| Shielded | Yes | Electrical data | |
| Shielding: Covering | approx. 80 % | Operating voltage | max. 30 V AC/DC |
| Shielding attenuation | 80 | Nominal voltage | 300 V |
| Bending radius (fixed) | 32.5 mm | Contact resistance | max. 30 mOhm |
| Number of wires | 12 | Operating current per contact | max. 1.5 A |
| Number and diameter of wires | 12x0.14 | Mechanical data | |
| | | Head A: Degree of protection | IP65, IP66K, IP67 |

2024-07-16 The product features and technical data specified do not express or imply any warranty. Technical modifications subject to change.

Technical data

Mechanical data

| | |
|---------------------------------|--------------------------|
| Bending radius (mobile) | min. 10 × outer diameter |
| Bending radius (fixed) | min. 5 × outer diameter |
| No. of bending cycles (C-track) | approx. 5000000 Cycles |
| Torsion speed | max. 35 cycles/min |
| Torsion stress in ° | ± 30 °/m |
| No. of torsion cycles | approx. 2000000 Cycles |
| Acceleration (C-track) | max. 5 m/s ² |
| Travel speed (C-track) | max. 3.3 m/s |

Environmental conditions

| | |
|----------------------------------|-----------------|
| Temperature range (mobile) | - 25 ...+ 80 °C |
| Temperature range (fixed) | - 25 ...+ 80 °C |
| Cable: Temperature range (fixed) | - 40 ...+ 80 °C |
| Dragchain capable | Yes |

Environmental conditions

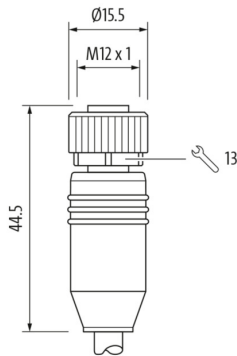
| | |
|-----------------------------------|---|
| Head A: Chemical resistance | No |
| Head A: Flame resistance | HB (UL 94) |
| Head A: Oil resistance | ASTM 1 oil, mineral oils, limited to hydraulic oils |
| Head A: Acid and alkali resistant | No |
| Head A: Pollution degree | 3 |
| Cable: Chemical resistance | Good (DIN EN 60811-404) |
| Cable: Flame resistance | Conform UL 1581 §1090 (H), CSA FT2, IEC 60332-2-2 |
| Cable: Oil resistance | Good (DIN EN 60811-404) |
| Cable: Silicone-free | Yes |

Commercial data

| | |
|--------|----------|
| Eclass | 27060311 |
|--------|----------|

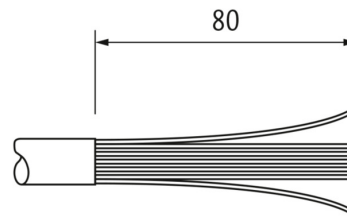
Side A

Technical drawing

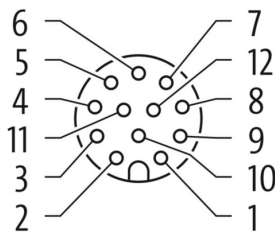


Side B

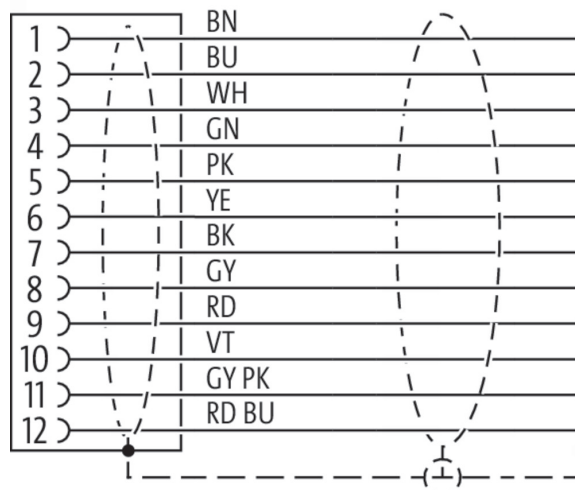
Technical drawing



Coding



Connection diagram



Dimension drawing

