

产品要点

- 对射式传感器
- 侧视图
- 无螺纹光滑传感头
- -30 ... 70 °C



图片与实际产品类似

技术数据

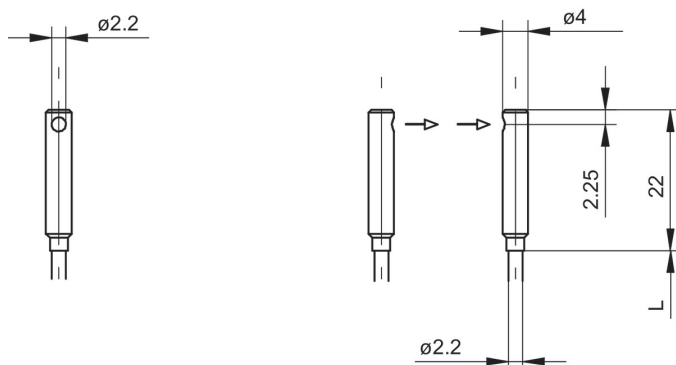
基本参数

特殊特性	光滑感应头 · 无螺纹 侧视图
Operating principle	Through-beam type
Actual range Sb	3400 mm
感应头类型 (光纤)	Cylindrical smooth, side view
工作温度	-30 ... +70 °C
出光角	60°
Fiber optics can be shortened to length	Yes
Integrated lens	No
Adaptable lens	No
Infrared light compatibility (1450 nm)	No

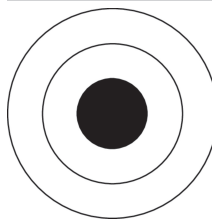
机械参数

Diameter Fiber	1 mm
宽度 / 直径 (感应头)	4 mm
高度 / 长度 (感应头)	22 mm
感应头材质	铝
Bending radius (fixed)	30 mm
Bending radius (mobile)	15 mm
电缆护套直径	2,2 mm
电缆护套材质	PE
光纤材质	塑料
长度 (光纤)	200 cm

尺寸图



Fiber arrangement



Actual range diagram

	Mode	Actual Range Sb [mm]
OF10	Ultra-High-Speed	763
	High-Speed	979
	Standard	1132
	High-Resolution	1661
	Long-Range	2064
	Ultra-Long-Range	3400
FVDK 10x6	Fast	665
	Semi Fast	1166
	Normal	1253
FVDK 10x5	Potentiometer	346

附件
Fitting fiber optic sensors

11252204	OF10.FR-GW2J.B2NV/A014
11244386	OF10.FR-GW2J.B2CV/A014
11224111	OF10.FR-PW1B.B2N
11224008	OF10.FR-NW1B.B2CV
11224009	OF10.FR-NW1B.B2N
11224110	OF10.FR-PW1B.B2CV
11244384	OF10.FR-GW2J.B2N/A014
10162867	FVDK 10N5101
10162865	FVDK 10N5101/S35A
10162866	FVDK 10P5101
10162864	FVDK 10P5101/S35A
11045446	FVDK 10N66Y0
11045448	FVDK 10N66Y0/S35A
11045460	FVDK 10N66YR
11045445	FVDK 10P66Y0
11045447	FVDK 10P66Y0/S35A
11045449	FVDK 10P66YR
11214490	FVDK 10P66ZR
11214493	FVDK 10P66Z0/S35A
11214478	FVDK 10P66Z0
11214492	FVDK 10N66ZR
11214494	FVDK 10N66Z0/S35A
11214479	FVDK 10N66Z0
11045462	FVDK 10N66YM
11045464	FVDK 10N66YS
11045461	FVDK 10P66YM
11045463	FVDK 10P66YS

安装附件

10114652	Cutting tool for plastic fiber optics
10119911	Mounting bracket Ø 2,2 mm
10156738	Fiber optic cable extension 2 m
10158142	Fiber optic cable extension 5 m
10145523	Fiber optic cable extension 5 m highly flexible