

**Overview**

- Distance measuring
- 0 ... 3 mm
- voltage output
- flylead connector M8
- -20... 70 °C
- IP 67



Picture similar



**Technical data**

**General data**

|                       |  |
|-----------------------|--|
| Mounting type         | Quasi-flush  |
| Special type          | Linearized   |
| Measuring distance Sd | 0 ... 3 mm   |
| Sensitivity           | 3,33 V/mm  |
| Resolution            | < 0.003 mm (stat.)<br>< 0.009 mm (dynam., S = 0 ... 2 mm)<br>< 0.018 mm (dynam., S = 0 ... 3 mm) |
| Repeat accuracy       | 0.01 mm  |
| Adjustment            | External Teach-in  |
| Linearity error       | ± 15 µm (S = 0 ... 2 mm)<br>± 90 µm (S = 0 ... 3 mm)   |
| Temperature drift     | ± 2 % (Full Scale: S = 0 ... 2 mm)<br>± 6 % (Full Scale: S = 0 ... 3 mm)                         |

**Electrical data**

|  |               |
|--|---------------|
| Response time (factory characteristic) | < 2 ms        |
| Voltage supply range +Vs               | 12 ... 30 VDC |

**Electrical data**

|                                    |                     |
|------------------------------------|---------------------|
| Current consumption max. (no load) | 10 mA               |
| Output circuit                     | Analog 0 ... 10 VDC |
| Load resistance                    | > 4000 Ohm          |
| Short circuit protection           | Yes                 |
| Reverse polarity protection        | Yes                 |

**Mechanical data**

|                         |                                    |
|-------------------------|------------------------------------|
| Design                  | Rectangular                        |
| Material (sensing face) | PBT                                |
| Housing material        | Stainless steel                    |
| Dimension               | 8 mm                               |
| Housing length          | 24.6 mm                            |
| Connection types        | Flylead connector PUR M8, L=200 mm |
| Tightening torque max.  | 0.8 Nm                             |

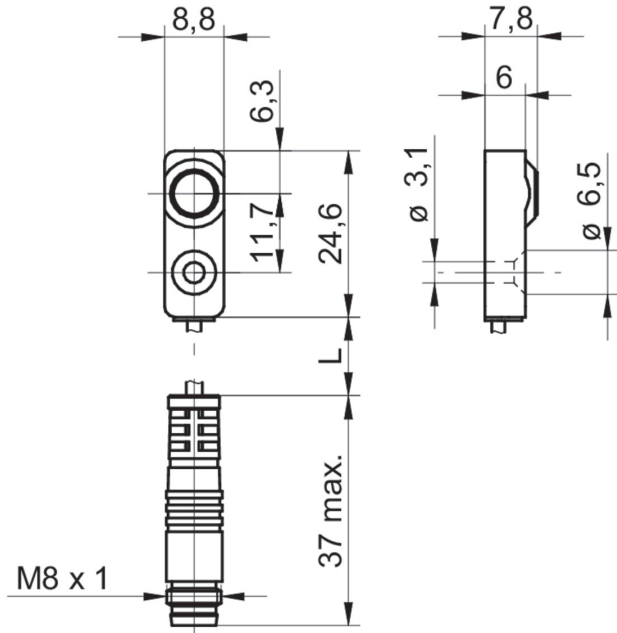
**Ambient conditions**

|                       |                |
|-----------------------|----------------|
| Operating temperature | -20 ... +70 °C |
| Protection class      | IP 67          |

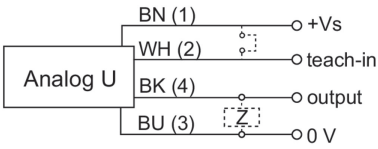
**Remarks**

- Linear analog output

**Dimension drawing**



**Connection diagram**



**Pin assignment**

