

Overview

- Cylindrical standard housing for versatile use
- Factor 1 - Same high distances on any metal
- Lowest serial dispersion due to end-of-line calibration
- Robust even in demanding environments
- Temperature and long-term stable switching behavior



Picture similar



Technical data

General data		Mechanical data	
Mounting type	Flush	Material (sensing face)	PBT
Special type	Factor 1	Housing material	Brass nickel plated
Nominal sensing distance Sn	6 mm	Dimension	18 mm
Assured sensing distance Sa	≤ 81 % of Sn	Housing length	50 mm
Real sensing distance Sr	± 10 % von Sn	Connection types	Cable, L=2 m
Temperature drift	± 10 % of Sr	Tightening torque max.	40 Nm
Hysteresis	3 ... 20 % of Sr	Weight	100 g
Output indicator	LED red	Ambient conditions	
Correction factor typ.	Mild steel 100 %, stainless steel 100 %, aluminum 100 %, copper 100 %	Operating temperature	-25 ... +75 °C
Reference object	Fe360 18 x 18 x 1 mm	Storage temperature	-25 ... +75 °C
Electrical data		Protection class	IP 67
Switching frequency	500 Hz	Vibration resistance	IEC 60068-2-6:2008 10 g at f = 10 - 2000 Hz, duration 150 min per axis
Voltage supply range +Vs	5 ... 36 VDC	Shock resistance	IEC 60068-2-27:2009 100 g / 6 ms, 10 jolts per axis and direction
Current consumption max. (no load)	12 mA	Safe maximum values	
Output circuit	NPN make function (NO)	MTTF	775 years
Voltage drop Vd	<2 VDC	Diagnostic coverage (DC)	0 %
Output current	200 mA	Cable	
Short circuit protection	Yes	Cable length	200 cm
Reverse polarity protection	Yes	Shielded	No
Mechanical data		External sheath: Material	PVC
Design	Cylindrical threaded	Cable diameter	4.2 mm
		Wire cross section	0.25 mm ²
		Insulation: Material	PVC

IR18.P06F-F50.NO1Z.7BCV

Inductive proximity switch - factor 1 - all metals

Article number: 11119459

Technical data

Cable

Bending radius (fixed) 5 × outer diameter

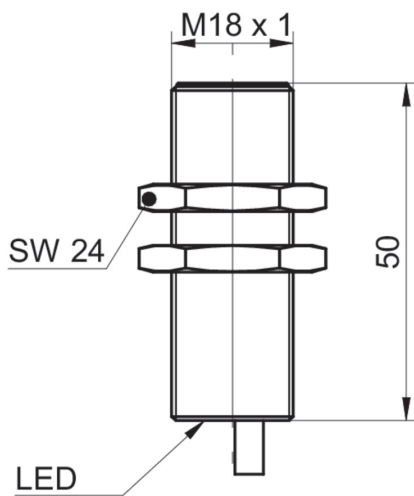
Cable

Bending radius (mobile) 10 × outer diameter

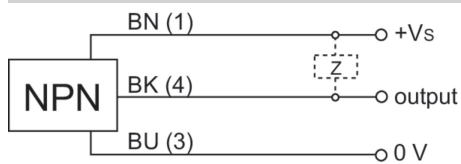
Remarks

- Not for flush mounting in metals
- Same sensing distance on all metals (no reduction factor)

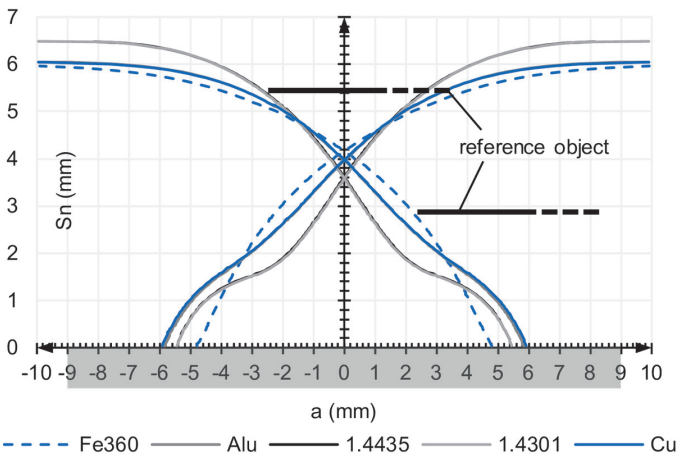
Dimension drawing



Connection diagram



Response diagram



Accessories**Mounting accessories**

10151658	Sensofix series 18
11172096	ZADAP-M18.STANDARD
11171584	ZADAP-M18.SHORT
11172095	ZADAP-M18.LONG
11707685	Mounting rod with mounting plate holder 200 mm
11707686	Mounting rod with mounting plate holder 300 mm
11707688	Mounting rod 200 mm
11707697	Mounting rod 250 mm
11707698	Mounting rod with mounting plate holder 250 mm
11707687	Mounting rod 300 mm
11707699	Mounting plate series 500 and \varnothing 18 mm
11707702	Mounting base
11707703	Two-way connector