

IWRP 16I8704/S14C

Inductive distance sensors - pressure resistant

Article number: 11167164

Overview

- 0 ... 4 mm
- current output
- external Teach-in
- connector M12 5 pin
- -25 ... 75 °C (Vs = 8 ... 30 VDC)
- -25 ... 60 °C (Vs = 8 ... 36 VDC)
- IP 68/67 (sensing face/sensor)



Picture similar



Technical data

General data

Mounting type	Flush
Special type	High pressure Linearized
Measuring distance Sd	0 ... 4 mm
Sensitivity	4,0 mA/mm
Resolution	< 0.005 mm (stat.) < 0.005 mm (dynam.)
Repeat accuracy	0.01 mm
Adjustment	External Teach-in
Teach	1-point analog, 2-point analog, factory re-set
Linearity error	± 120 µm (S = 0 ... 4 mm)
Temperature drift	± 10 % (Full Scale)

Electrical data

Response time (factory characteristic)	< 1 ms
Voltage supply range +Vs	8 ... 36 VDC
Current consumption max. (no load)	15 mA
Output circuit	Analog 4 ... 20 mA

Electrical data

Load resistance	< 50 Ohm/V * Vs - 250 Ohm > 500 Ohm (Vs = 30 ... 36 VDC)
Short circuit protection	Yes
Reverse polarity protection	Yes

Mechanical data

Design	Cylindrical threaded
Material (sensing face)	Ceramic
Housing material	Stainless steel
Dimension	16 mm
Housing length	61 mm
Connection types	Connector M12 5 pin
Tightening torque max.	30 Nm
Peak pressure	600 bar
Operating pressure static	< 300 bar
Operating pressure dynamic	< 250 bar

Ambient conditions

Operating temperature	-25 ... +75 °C (Vs = 8 ... 30 VDC) -25 ... +60 °C (Vs = 8 ... 36 VDC)
Protection class	IP 68/67 (sensing face/sensor)

Remarks

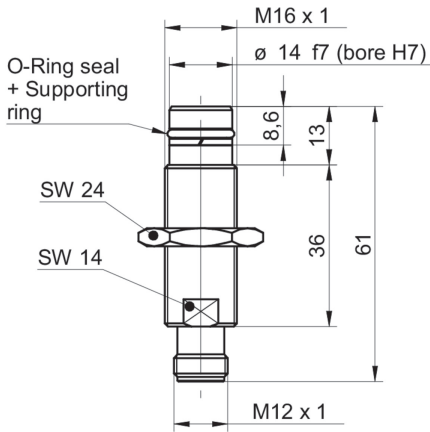
- External Teach-in
- Linear analog output

IWRP 16I8704/S14C

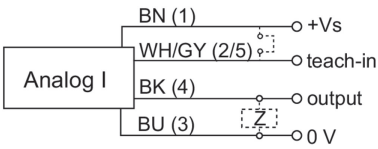
Inductive distance sensors - pressure resistant

Article number: 11167164

Dimension drawing



Connection diagram



Pin assignment

