

MHAP 200

Absolute encoder / Singleturn 8...17 Bit / Magnetic sensing / Through hollow shaft max. \varnothing 180 mm
 Additional 1...262144 pulses or 1...16384 sinewave cycles per turn

Overview

- Absolute encoder with magnetic sensing and without bearings
- Sensor head with integrated FPGA signal processing
- Absolute resolution max. 17 bit singleturn
- Additional incremental output
- Robust and wearless
- Electronics is fully encapsulated
- High protection
- Large tolerances: axial 0.3 ± 0.2 mm, radial max. 0.5 mm
- Simple mounting, easy adaptation
- Several mounting possibilities
- Magnetic rotor included in delivery



Technical data

Technical data - electrical ratings

Voltage supply	4.5...30 VDC
Consumption w/o load	≤ 300 mA
Sensing method	Magnetic
Interference immunity	EN 61000-6-2
Emitted interference	EN 61000-6-3
Approval	CE UL approval / E217823

Technical data - electrical ratings (square-wave)

Pulses per revolution	1 ... 262144
Phase shift	$90^\circ \pm 10^\circ$
Duty cycle	40...60 %
Output frequency	≤ 2 MHz
Output signals	A+, A-, B+, B-
Output stages	HTL TTL/RS422

Technical data - electrical ratings (SinCos)

Sinewave cycles per revolution	1 ... 16384
Phase shift	$90^\circ \pm 5^\circ$
Output signals	A+, A-, B+, B-
Output stages	SinCos 1 Vpp
Difference of SinCos amplitude	≤ 20 mV
Harmonics typ.	-40 dB
DC offset	≤ 20 mV
Bandwidth	400 kHz (-3 dB)

Technical data - electrical ratings (SSI)

Interface	SSI
Steps per revolution	$\leq 131072 / 17$ bit
Code	Gray or binary
Code sequence	CW default
Additional outputs	Square-wave TTL (RS422) Square-wave universal HTL/TTL SinCos

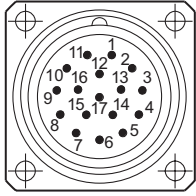
Technical data - mechanical design

Sensor head	FPGA signal processing
Size (flange)	$\varnothing 203.1$ mm
Shaft type	$\varnothing 50 \dots 180$ mm (through hollow shaft)
Axial tolerance	0.3 ± 0.2 mm (wheel/head)
Radial tolerance	$0.1 \dots 0.5$ mm (wheel/head)
Protection EN 60529	IP 67
Operating speed	≤ 4000 rpm
Material	Housing sensing head: aluminium alloy Wheel: stainless steel (1.4104)
Operating temperature	$-20 \dots +85^\circ\text{C}$
Resistance	IEC 60068-2-6 Vibration 30 g, 55-2000 Hz IEC 60068-2-27 Shock 300 g, 2 ms
Accuracy of magnetic measure	$\pm 200''$
Connection	Flange connector M23, 17-pin

MHAP 200

Absolute encoder / Singleturn 8...17 Bit / Magnetic sensing / Through hollow shaft max. ø180 mm
Additional 1...262144 pulses or 1...16384 sinewave cycles per turn

Terminal assignment



Flange connector M23, male, 17-pin, clockwise (CW)

Pin	Assignment
1	dnu
2	dnu
3	dnu
4	dnu
5	dnu
6	dnu
7	+UB
8	SSI Clk+
9	SSI Clk-
10	0V (⊥)
11	Internal shield
12	dnu (B+ *)
13	dnu (B- *)
14	SSI Data+
15	dnu (A+ *)
16	dnu (A- *)
17	SSI Data-

* With additional output incremental

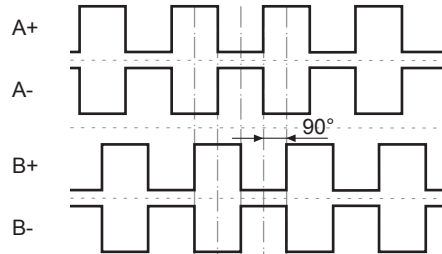
Terminal significance

+UB	Voltage supply
0V (⊥)	Ground
SSI Data+	SSI data+
SSI Data-	SSI data-
SSI Clk+	SSI clock+
SSI Clk-	SSI clock-
A+	Additional output output signal channel 1
A-	Additional output output signal channel 1 inverted
B+	Additional output output signal channel 2 (offset by 90° to channel 1)
B-	Additional output output signal channel 2 inverted
dnu	Do not use

Output signals

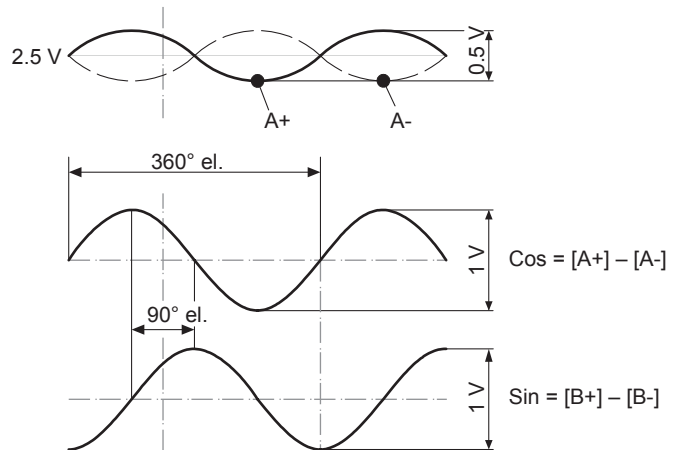
Additional output HTL/TTL

At positive rotating direction (see dimension)



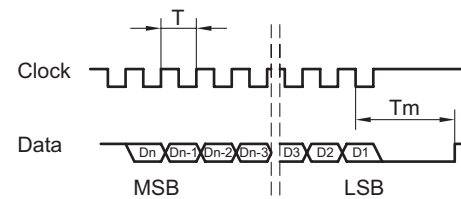
Additional output SinCos

At positive rotating direction (see dimension)

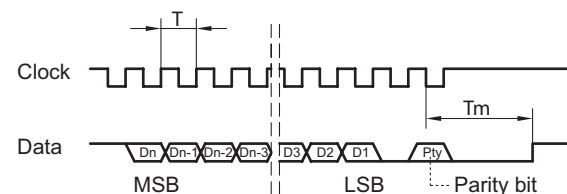


Data transfer

Without parity bit



With parity bit



T = 0.5...10 μs

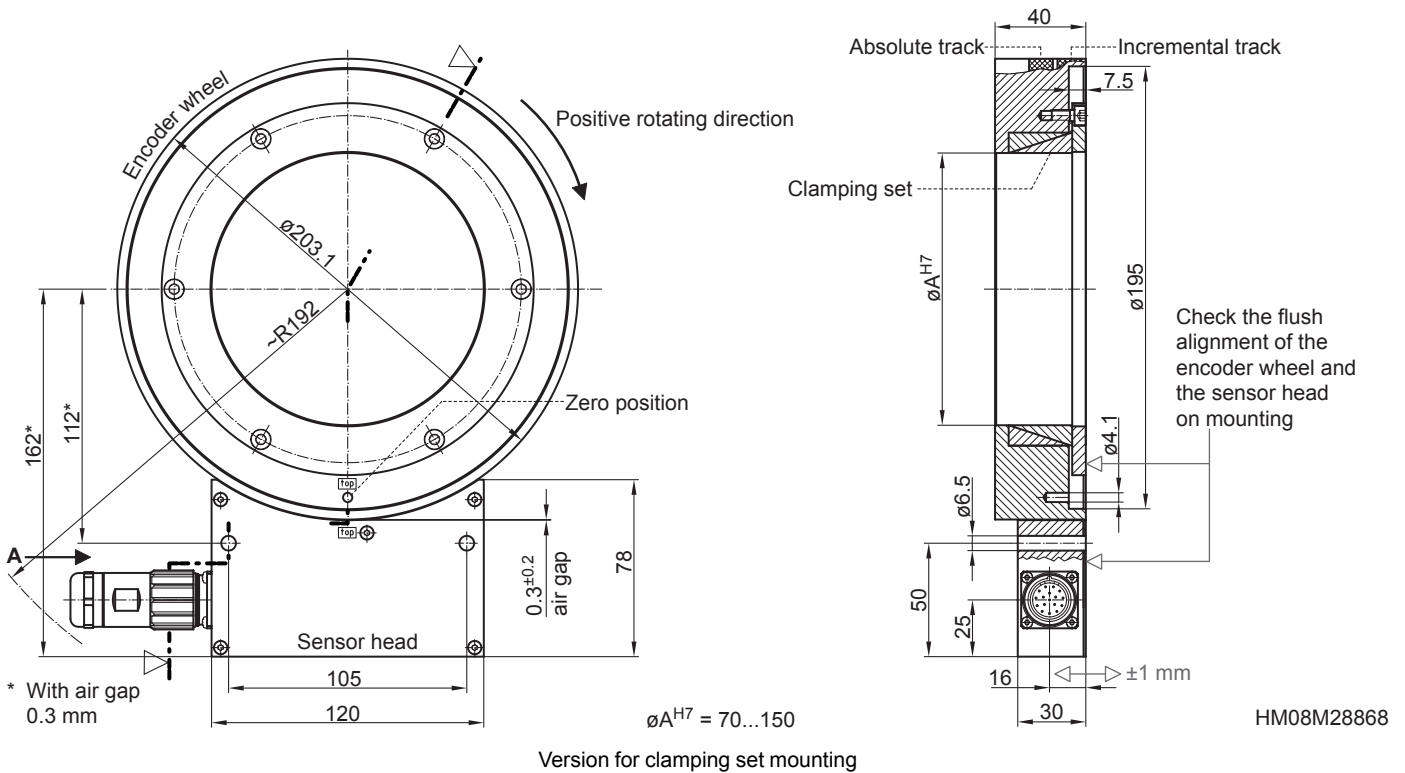
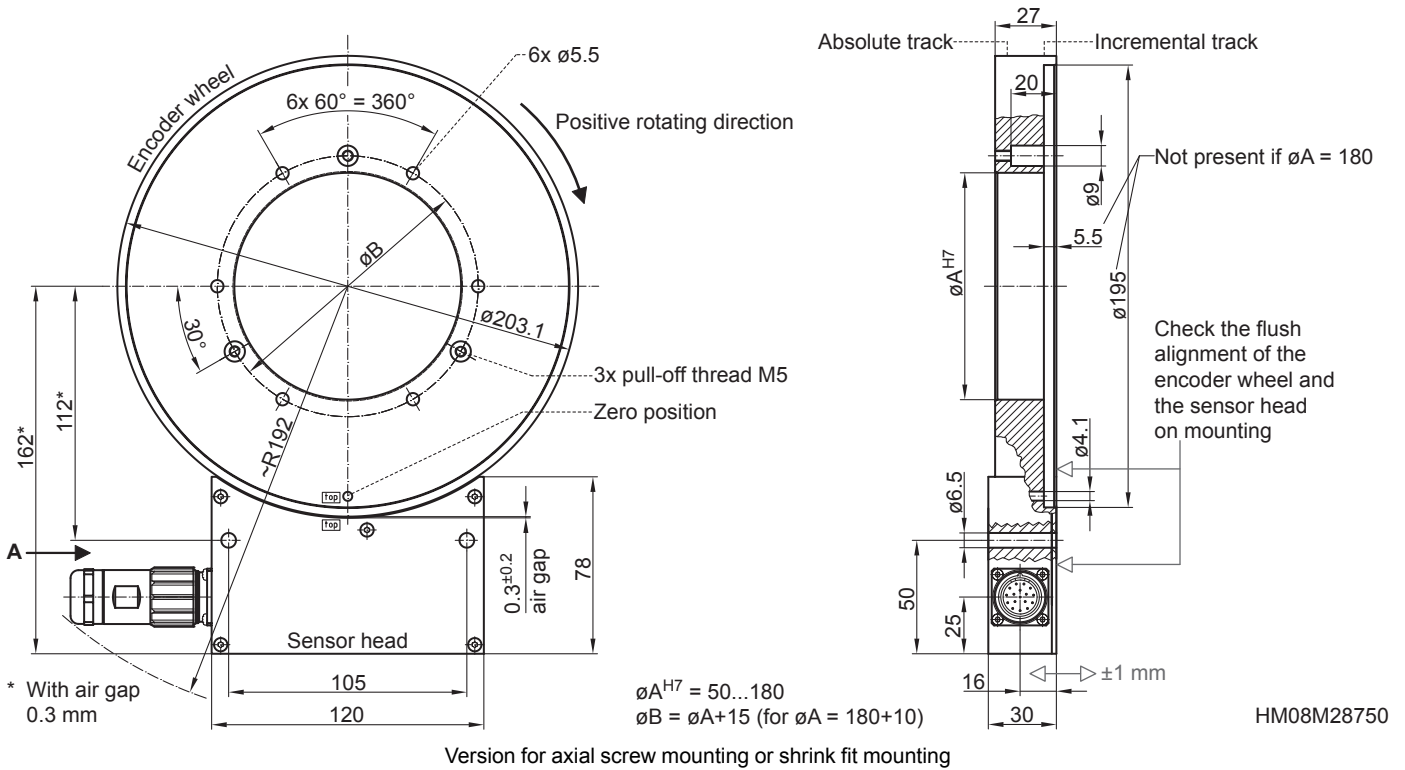
Tm = 15 μs

Clock frequency ≤2 MHz

MHAP 200

Absolute encoder / Singleturn 8...17 Bit / Magnetic sensing / Through hollow shaft max. $\varnothing 180$ mm
Additional 1...262144 pulses or 1...16384 sinewave cycles per turn

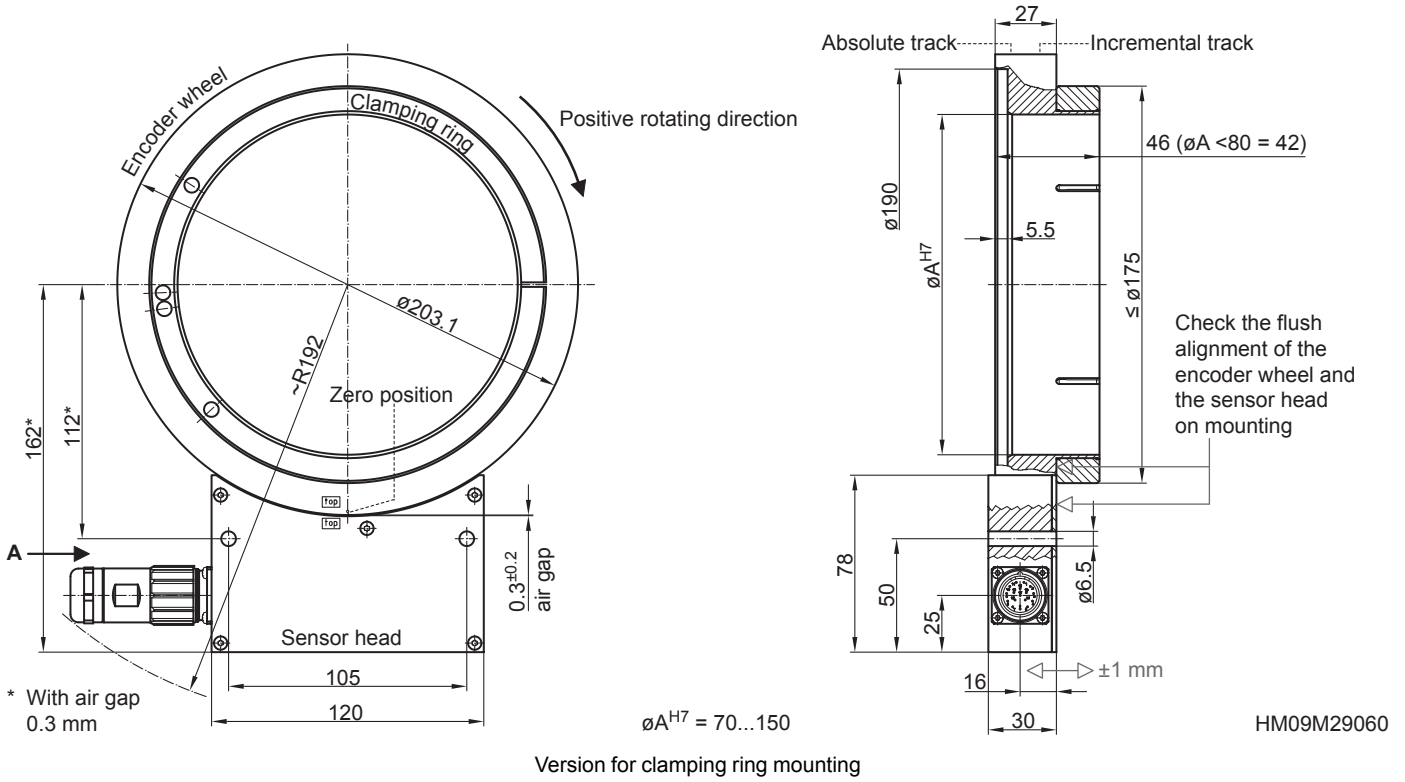
Dimensions



MHAP 200

Absolute encoder / Singleturn 8...17 Bit / Magnetic sensing / Through hollow shaft max. $\varnothing 180$ mm
Additional 1...262144 pulses or 1...16384 sinewave cycles per turn

Dimensions



MHAP 200

 Absolute encoder / Singleturn 8...17 Bit / Magnetic sensing / Through hollow shaft max. ø180 mm
 Additional 1...262144 pulses or 1...16384 sinewave cycles per turn

Ordering reference

	MHAP200	B	5	####	S	#	##	#	#	#####	D
Product	MHAP200										
Encoder without bearings - absolute	MHAP200										
Bandaging											
Encoder wheel standard bandage		B									
Pole width											
1 pole = 5 mm			5								
Mounting type / hollow shaft (ø mm)⁽²⁾											
Screw or shrink fit mounting / ø90 mm					G90						
Screw or shrink fit mounting / ø130 mm					G130						
Screw or shrink fit mounting / ø180 mm					G180						
Clamping set mounting / ø70 mm					Z70						
Clamping set mounting / ø100 mm					Z100						
Clamping set mounting / ø150 mm					Z150						
Clamping ring mounting / ø110 mm					K110						
Clamping ring mounting / ø150 mm					K150						
Absolute share											
SSI					S						
Code											
Binary code						B					
Gray code						G					
Resolution Singleturn (bit)⁽²⁾											
13								13			
17								17			
Parity bit											
Odd									O		
Even									E		
None									N		
Voltage supply / output stage (incremental output)											
4.5...30 VDC / SinCos										P	
4.5...30 VDC / TTL										R	
5...30 VDC / 5 VDC = TTL, 10...30 VDC = HTL universal										U	
Without additional output signals										Z	
Pulse number/sinewave cycles (incremental output)⁽²⁾											
Without additional output signals											0
128											128
256											256
512											512
1024											1024
2048											2048
4096											4096
8192											8192
16384											16384
32768 ⁽¹⁾											32768
262144 ⁽¹⁾											262144
Connection											
1x flange connector M23, tangential 17-pin, male, CW											D

(1) No SinCos output possible

(2) Other versions on request