

Overview

- light barrier
- 30 ... 300 mm
- pulsed PinPoint LED
- push-pull
- Teach-in and IO-Link
- cable 4 pin, 2 m
- -25 ... 60 °C
- IP 68/69K & proTect+



Picture similar



Technical data

General data

Type	Light barrier
Special type	Hygienic design
Version	Transparency object detection
Background position Sde	30 ... 300 mm
Scanning range Sa	100% ... 85% Sde
Minimal signal attenuation	10 % / 20 % / 30 %
Power on indication	LED green
Light indicator	LED yellow
Sensing distance adjustment	Teach-in and IO-Link
Suppression of reciprocal influence	Yes
Alignment optical axis	< 2°
Approvals/certificates	Ecolab Adapted from EHEDG

Light Source

Light source	Pulsed PinPoint LED
Wave length	630 nm

Electrical data

Response time / release time	0.25 ... 0.6 ms
------------------------------	-----------------

Electrical data

Voltage supply range +Vs	10 ... 30 VDC
Current consumption max. (no load)	45 mA
Current consumption typ.	30 mA
Voltage drop Vd	<3 VDC
Output function	Light / dark operate
Output circuit	Push-pull
Output current	100 mA
Short circuit protection	Yes
Reverse polarity protection	Yes

Mechanical data

Width / diameter	16.5 mm
Height / length	34.6 mm
Depth	28.7 mm
Design	Rectangular
Housing material	Stainless steel 1.4404 (V4A)
Front (optics)	PMMA
Connection types	Cable 4 pin, 2 m

Ambient conditions

Protection class	IP 68/69K & proTect+
Operating temperature	-25 ... +60 °C

O300H.SP.T-GW1J.PVCK

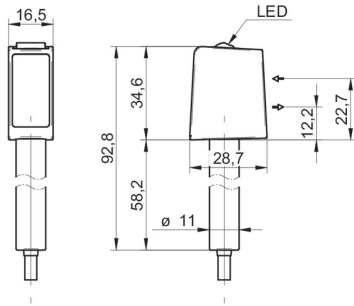
SmartReflect Light barriers - hygiene

Article number: 11136925

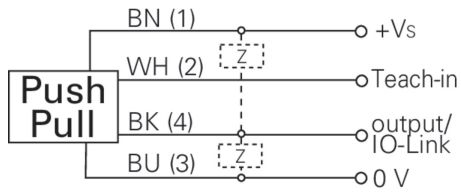
Remarks

- Magnetic Teach
- IO-Link: V1.1, filter functions, qTeach lock adjustable
- Signal attenuation adjustable
- Response time / release time: depending on the signal strength

Dimension drawing



Connection diagram



Beam characteristic (typically)

