

O500.SP-PV1T.72CU/T003

SmartReflect Light barriers - for longer ranges

Article number: 11135867

Overview

- light barrier
- 60 ... 600 mm
- pulsed PinPoint LED
- PNP complementary
- qTeach / 1-Step Teach-in
- cable 4 pin, 2 m
- -25 ... 60 °C
- IP 67



Picture similar



Technical data

General data

Type	Light barrier
Version	Standard object detection
Light source	Pulsed PinPoint LED
Background position Sde	60 ... 600 mm
Scanning range Sa	90% ... 85% Sde
Power on indication	LED green
Light indicator	LED yellow
Sensing distance adjustment	qTeach / 1-Step Teach-in
Wave length	630 nm
Suppression of reciprocal influence	Yes
Alignment optical axis	< 1°

Electrical data

Response time / release time	< 0.49 ms
Voltage supply range +Vs	10 ... 30 VDC
Current consumption max. (no load)	40 mA

Electrical data

Current consumption typ.	30 mA
Voltage drop Vd	< 3 VDC
Output function	Light / dark operate
Output circuit	PNP complementary
Output current	< 100 mA
Short circuit protection	Yes
Reverse polarity protection	Yes

Mechanical data

Width / diameter	18 mm
Height / length	45 mm
Depth	32 mm
Type	Rectangular
Housing material	Plastic (ASA, PMMA)
Front (optics)	PMMA
Connection types	Cable 4 pin, 2 m

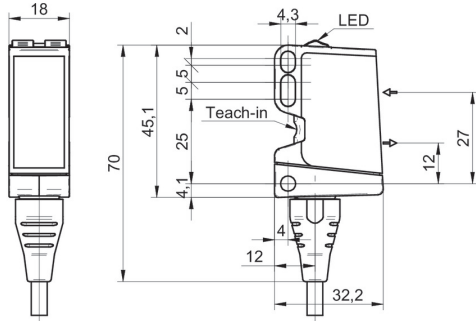
Ambient conditions

Protection class	IP 67
Operating temperature	-25 ... +60 °C

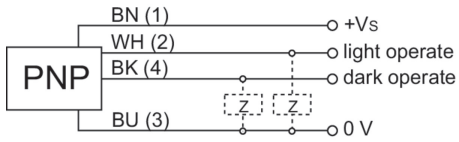
Remarks

- qTeach

Dimension drawing



Connection diagram



Beam characteristic (typically)

