

Overview

- Optional controller box for OE60
- Connection of up to 4 pairs of sensors
- Capable of field use thanks to IP 50
- Easy mount on DIN rails
- Communication via EtherCat interface



Picture similar



Technical data

General data

| | |
|------------------------------|-------------------------------------------------------------------------------------------------------|
| Number of sensor connections | 4 |
| Compatible sensors | OE60 |
| Adjustment | Display EtherCAT |
| LED display | Status LED sensor (green/ red) Ethernet port status (green/ yellow) Network status (green/ red) |

Electrical data

| | |
|------------------------------------|-------------------|
| Voltage supply range +Vs | 15 ... 30 VDC |
| Current consumption max. (no load) | 150 mA (@ 24 VDC) |
| Output circuit | Push-pull |
| Short circuit protection | Yes |
| Reverse polarity protection | Yes, Vs to GND |

Communication interface

| | |
|--------------------|------------------------------------------|
| Interface | EtherCAT |
| Communication type | PDO / SDO communication |
| Connection types | 2x female M12, 4-pin, D-coded (EtherCAT) |

Communication interface

| | |
|-----------------------|---|
| Number of connections | 2 |
|-----------------------|---|

Mechanical data

| | |
|------------------|----------------------------------------------------------------------------------------|
| Width / diameter | 114 mm |
| Height / length | 116 mm |
| Depth | 43 mm |
| Housing material | PC, PA |
| Mounting | DIN rail mounting |
| Connection types | 1x male M12, 5-pin, A-coded (voltage supply) 4x female M12, 5-pin, A-coded (sensor) |
| Weight | 227 g |

Ambient conditions

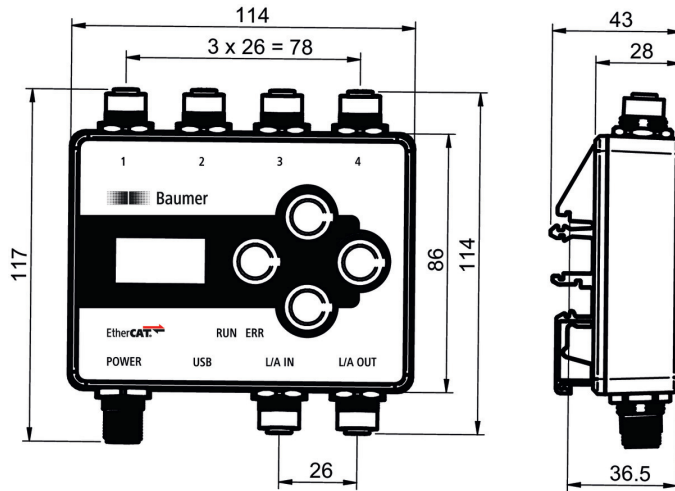
| | |
|-------------------------|------------------------------------------------------------------------------------------------------------------|
| Protection class | IP 50 |
| Operating temperature | 0 ... +55 °C |
| Storage temperature | -20 ... +60 °C |
| Vibration (sinusoidal) | IEC 60068-2-6:2008 1.5 mm p-p at f = 10 - 57 Hz, 10 cycles per axis, 10 g at 58 - 2000 Hz, 10 cycles per axis |
| Shock (semi-sinusoidal) | IEC 60068-2-27:2009 30 g / 11 ms, 6 jolts per axis and direction |

OE60C.EC-4TF.SXF

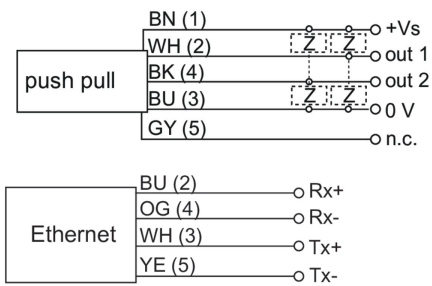
Controller box - EtherCAT

Article number: 11264668

Dimension drawing



Connection diagram



Pin assignment

