

**Overview**

- Voltage input  $\pm 10$  V,  $\pm 20$  VDC,  $\pm 200$  VDC
- Voltage input  $\pm 100$  mVDC for measurements by external current shunt (precision resistor)
- Current input  $\pm 20$  mA
- Display range can be linearised
- LED display, 4 digits, programmable
- DIN housing 48 x 24 mm



**Technical data**

**Technical data - electrical ratings**

Voltage supply	85...265 VAC 100...300 VDC
Nominal frequency	50 / 60 Hz
Power consumption	1.8 W
Display	LED, 7-segment display (with 60 unit stickers for front)
Display color	1 color - red
Number of digits	4-digits
Digit height	10 mm
Display range	-1999...9999 ("OuE" to signal overflow)
Display refresh	250 ms
Function	Digital display of 1 analog measured value
A/D transformer	Principle $\Sigma\Delta$ Resolution 16 bit Measuring rate 20/s Measuring accuracy $\pm(0.1\% + 3\text{-digit})$ Temp. coeffic. 100 ppm/ $^{\circ}\text{C}$
Analog input	Current or voltage input
Programmable parameters	Measuring range Display range can be linearised Decimal point
Limits	Without
Inputs	Voltage $\pm 10$ V Voltage $\pm 20$ VDC Voltage $\pm 200$ VDC Voltage $\pm 100$ mVDC Current $\pm 20$ mA

**Technical data - electrical ratings**

Data memory	>10 years in EEPROM
Analog output	Without
Outputs relay	Without
Standard DIN EN 61010-1	ISO 16750-2 (Electrical loads)
Emitted interference	EN 61000-6-3
Interference immunity	EN 61000-6-2

**Technical data - mechanical design**

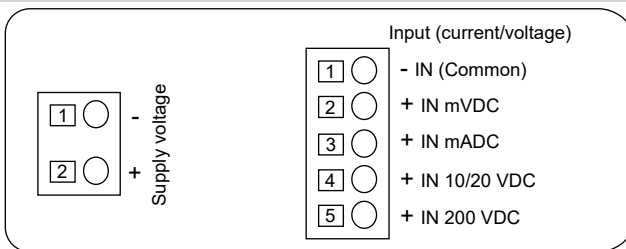
Ambient temperature	-10...+60 $^{\circ}\text{C}$
Storage temperature	-20...+70 $^{\circ}\text{C}$
Relative humidity	95 % non-condensing
Connection	Spring-loaded terminal connector, detachable
Core cross-section	1 mm <sup>2</sup> (Grid 2.54) 2.5 mm <sup>2</sup> (Grid 7.62)
Protection EN 60529	IP 65 (face)
Operation / keypad	3 softkeys below bezel
Housing type	Built-in housing
Dimensions W x H x L	1/32 DIN 48 x 24 x 106 mm
Cutout dimensions	45 x 22.2 mm (+0.3)
Mounting depth	95 mm
Mounting type	Front panel installation by clip frame
Weight approx.	50 g
Material	Housing: Polycarbonate, UL 94V-0

**Inputs and outputs**

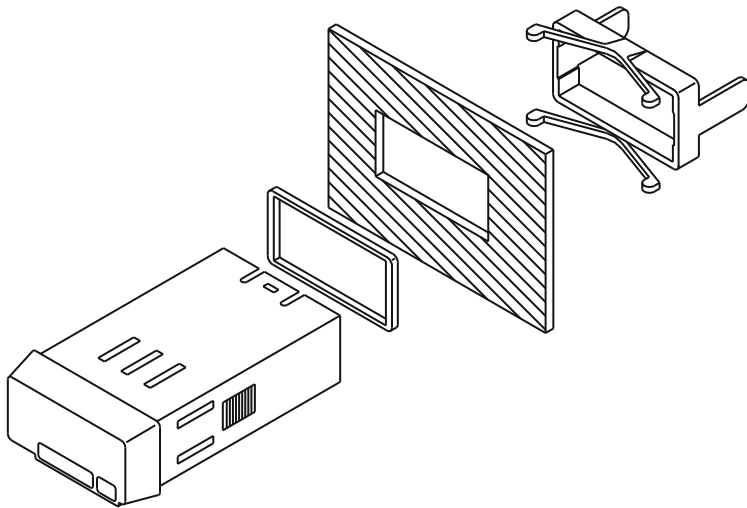
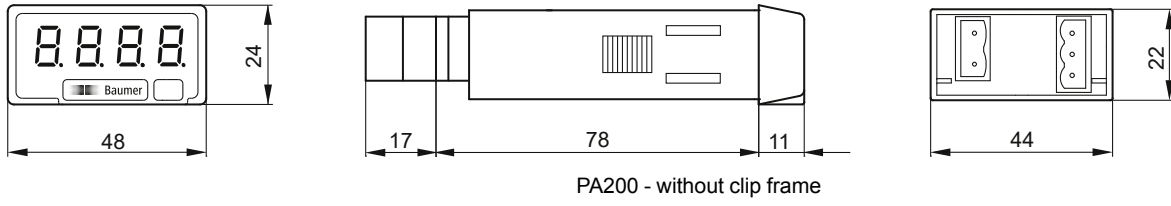
**Analog input**

Signal	Resolution	Input resistance
±200 V	0.1 V	1 MΩ
±20 V	0.01 V	1 MΩ
±10 V	1 mV	1 MΩ
±100 mV	0.1 mV	100 MΩ
±20 mA	0.01 mA	20 Ω

**Connection diagram**



**Dimensions**



Clip frame mounting (Seal and Clamping frame included in the scope of delivery)