

Overview

- For Pt100 and thermocouples J, K, T, N
- Display in °C (1/10 °C) or °F (1/10 °F)
- LED display, 4 digits, programmable
- DIN housing 48 x 24 mm



Technical data

Technical data - electrical ratings

| | |
|-------------------------|---|
| Voltage supply | 85...265 VAC 100...300 VDC |
| Nominal frequency | 50 / 60 Hz |
| Power consumption | 1.8 W |
| Display | LED, 7-segment display (with 60 unit stickers for front) |
| Display color | 1 color - red |
| Number of digits | 4-digits |
| Digit height | 10 mm |
| Display range | -1999...9999 ("OuE" to signal overflow) |
| Display refresh | 250 ms |
| Function | Digital display of 1 analog measured value |
| A/D transformer | Principle $\Sigma\Delta$ Resolution 16 bit Measuring rate 25/s Measuring accuracy Pt100 1°: $\pm(0.2\% + 1\text{-digit})$ Pt100 0.1°: $\pm(0.2\% + 4\text{-digit})$ Temp. coeffic. 100 ppm/°C Thermocouple $\pm(0.2\% + 2\text{-digit})$ |
| Analog input | Temperature: Pt100, thermocouples J, K, T |
| Programmable parameters | Measuring range Resolution 0.1 or 1 °C/°F Measuring unit °C/°F |
| Limits | Without |
| Inputs | Temperature sensor Pt100 Thermocouple J, K, T, N |

Technical data - electrical ratings

| | |
|-------------------------|--------------------------------|
| Data memory | >10 years in EEPROM |
| Analog output | Without |
| Outputs relay | Without |
| Standard DIN EN 61010-1 | ISO 16750-2 (Electrical loads) |
| Emitted interference | EN 61000-6-3 |
| Interference immunity | EN 61000-6-2 |

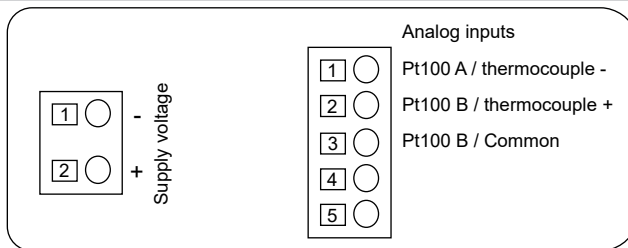
Technical data - mechanical design

| | |
|----------------------|--|
| Ambient temperature | -10...+60 °C |
| Storage temperature | -25...+85 °C |
| Relative humidity | 95 % non-condensing |
| Connection | Spring-loaded terminal connector, detachable |
| Core cross-section | 1 mm ² (Grid 2.54) 2.5 mm ² (Grid 7.62) |
| Protection EN 60529 | IP 65 (face) |
| Operation / keypad | 3 softkeys below bezel |
| Housing type | Built-in housing |
| Dimensions W x H x L | 1/32 DIN 48 x 24 x 106 mm |
| Cutout dimensions | 45 x 22.2 mm (+0.3) |
| Mounting depth | 95 mm |
| Mounting type | Front panel installation by clip frame |
| Weight approx. | 50 g |
| Material | Housing: Polycarbonate, UL 94V-0 |

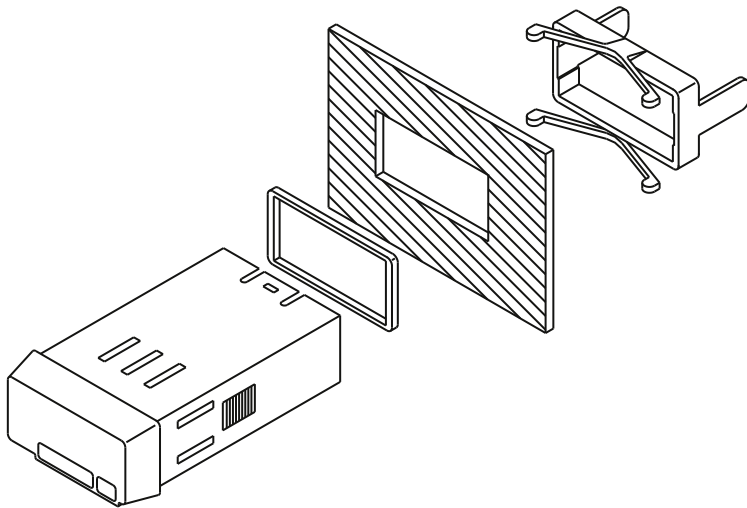
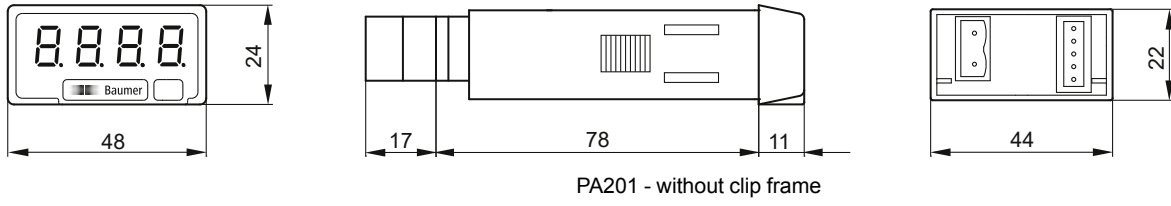
Inputs and outputs

| Thermo sensor | Resolution (°) | Resolution (0.1°) |
|----------------|------------------------------------|--|
| Pt100 | -200...+800 °C -328...+1472 °F | -199.9...+800.0 °C -199.9...+999.9 °F |
| Thermocouple J | -200...+1100 °C -328...+2012 °F | |
| Thermocouple K | -200...+1250 °C -328...+2282 °F | |
| Thermocouple T | -200...+400 °C -328...+752 °F | |
| Thermocouple N | -200...+1250 °C -328...+2282 °F | |

Connection diagram



Dimensions



Clip frame mounting (Seal and Clamping frame included in the scope of delivery)