

Tube Adapter E M92 hard anodized

Article number: 11704315

Overview

- adapter to mount the Tube M92 hard anodized (11704312) to VLXT cameras with EF-mount
- thread: M92
- length 2 mm



Picture similar

Technical data

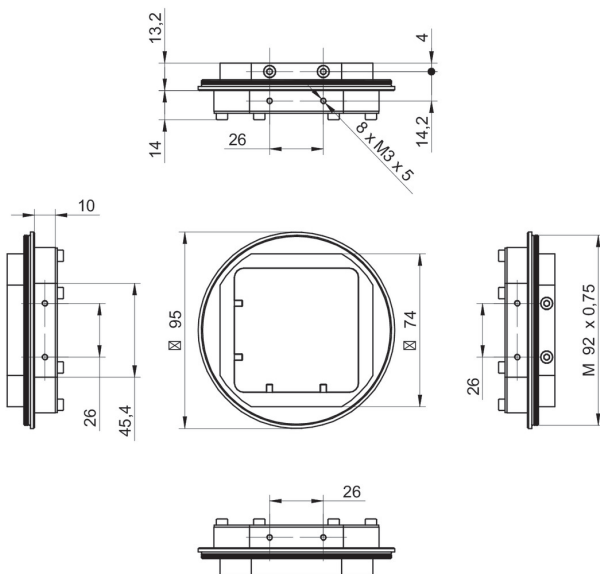
Mechanical data

External diameter	95 mm
Weight	≤ 165 g
Thread	M92 × 0,75

Mechanical data

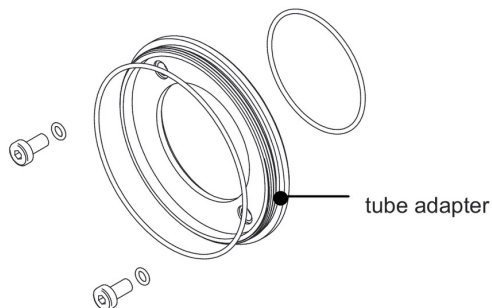
Length of tube	2 mm
Material	aluminum, hard-anodized
Sealing	EPDM

Dimension drawing



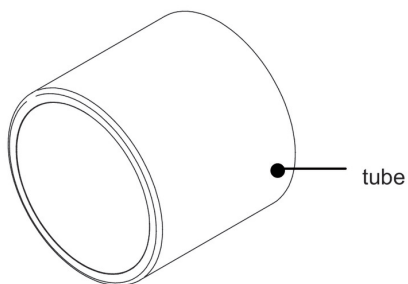
Principle

Optional accessories for protection class IP65/67:



tube adapter

- hard-anodized, incl. sealing and screws
 \varnothing 49,5 mm (VCXG.I 11185373)
 \varnothing 65 mm (VCXG.I 11185377)
 \varnothing 95 mm (VCXG.I 11704311)
 \varnothing 65 mm (VLXT 11193125)
 \varnothing 95 mm (VLXT.EF 11704315)



tube

- hard-anodized, cover glass PMMA
 \varnothing 49,5 mm, Length 44 mm (11185370)
 \varnothing 65 mm, Length 58 mm (11185374)
 \varnothing 95 mm, length 70 mm (11704312)
- hard-anodized, tempered laminated safety glass
 \varnothing 49,5 mm, Length 44 mm (11701124)
 \varnothing 65 mm, Length 58 mm (11701125)