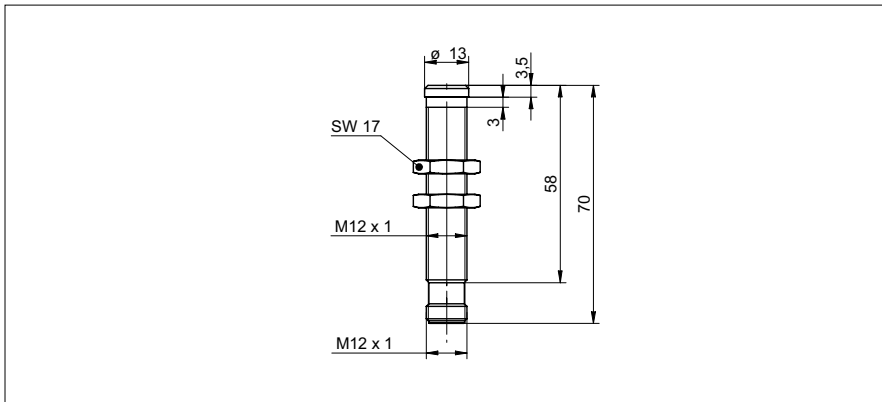


**Ultrasonic proximity sensors**

**UNAR 12P3914/S14H**

**dimension drawing**



**general data**

special type	chemically robust
scanning range Sd	10 ... 200 mm
scanning range far limit Sde	30 ... 200 mm
hysteresis typ.	4 % Sde
repeat accuracy	< 0,5 mm
temperature drift	< 0,18 % Sde/K
response time ton	< 10 ms
release time toff	< 10 ms
sonic frequency	380 kHz
adjustment	external Teach-in
alignment aid	no LED
approvals/certificates	Ecolab

**electrical data**

voltage supply range +Vs	12 ... 30 VDC
current consumption max. (no load)	35 mA
output circuit	PNP break function (NC)
output current	< 200 mA
voltage drop Vd	< 2 VDC
residual ripple	< 10 % Vs
short circuit protection	yes
reverse polarity protection	yes

**mechanical data**

type	cylindrical threaded
housing material	stainless steel 1.4404 (V4A)
coating active face	Parylene
material O-ring	EPDM
front of sensor durable against pressure	6 bar, 20'000 cycle
width / diameter	12 mm
height / length	70 mm
connection types	connector M12

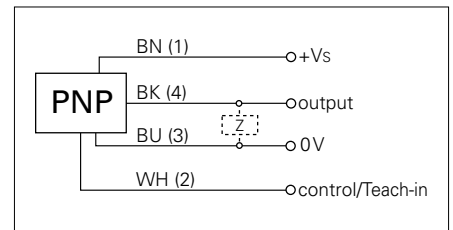
**ambient conditions**

operating temperature	0 ... +60 °C
protection class	IP 67

**photo**



**connection diagram**



- chemically robust version

**Ultrasonic proximity sensors**

**UNAR 12P3914/S14H**

**typical sonic cone profile**

